

DS1200s - 2 cu ft sealed enclosure

Driver:	DS1200 Rythmik Audio 12" (Driver cutout: 11-3/16") GR Research SW-12 series drivers
Enclosure dimensions:	15.5" wide x 15.5" deep x 24" high
Enclosure material:	3/4" MDF (Medium Density Fibreboard)

Feet

Dimensions: 1.5" x 1.5" x 2.5"

The feet may be changed, but the height should not be reduced. Extra height is required if drivers are not recessed, so the clearance remains the same.

Fixing and adhesives

PVA glue is sufficient as an adhesive for the enclosure. Screws or other fixings are not required for the enclosure – the adhesive will have sufficient strength.

Driver installation

Driver should be fixed to the enclosure with cap screws and T nuts. If the rubber gasket is not used, care is required to ensure a seal is achieved. The driver does not need to be adhered to the mounting surface.

Dimensions

Dimensions should be checked prior to cutting sheets. For example, with the side walls, one pair will be the full depth of the box, while the other pair will each be the width of the box less twice the thickness of the sheets. Due to slight differences between the nominal 3/4" thickness and the actual sheet used, the sheets may not fit. This would then require changing many other dimensions. This is why it is recommended to check all dimensions before cutting. Dimensions of bracing holes are not critical, although care is required to avoid holes that are too large which would weaken the brace.

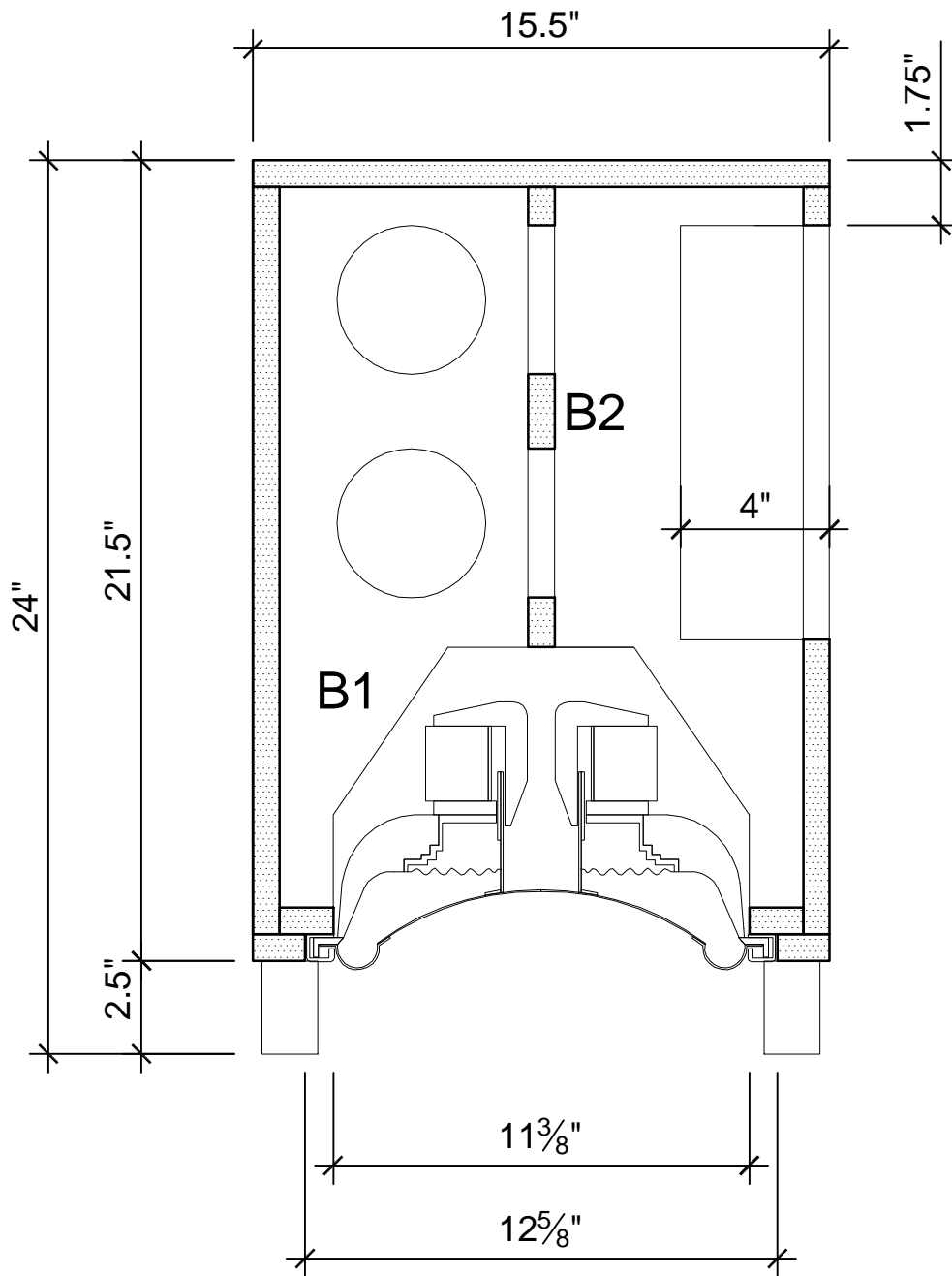
Notes on altering the design

The enclosure is designed to perform well and be relatively simple to construct and cost effective. Constructors who wish to improve on the design may choose thicker enclosure walls, more extensive bracing, different box proportions and alternative feet. It is important that the net box volume remains the same and that an adequate clearance under the driver is observed. Plywood is a viable alternative, but if hardwood is used, it should not be used as part of a sandwich panel containing either MDF or plywood.

"Can I use a different driver or amplifier?"

While it is possible to achieve acceptable performance with other drivers and amps, the box is designed specifically for our 12" custom installation subwoofers. If you use other drivers, the performance will most likely be compromised, even if you use a much more expensive driver and amplifier combination.

Need help? For online support, visit the Rythmik Audio website: www.rythmikaudio.com



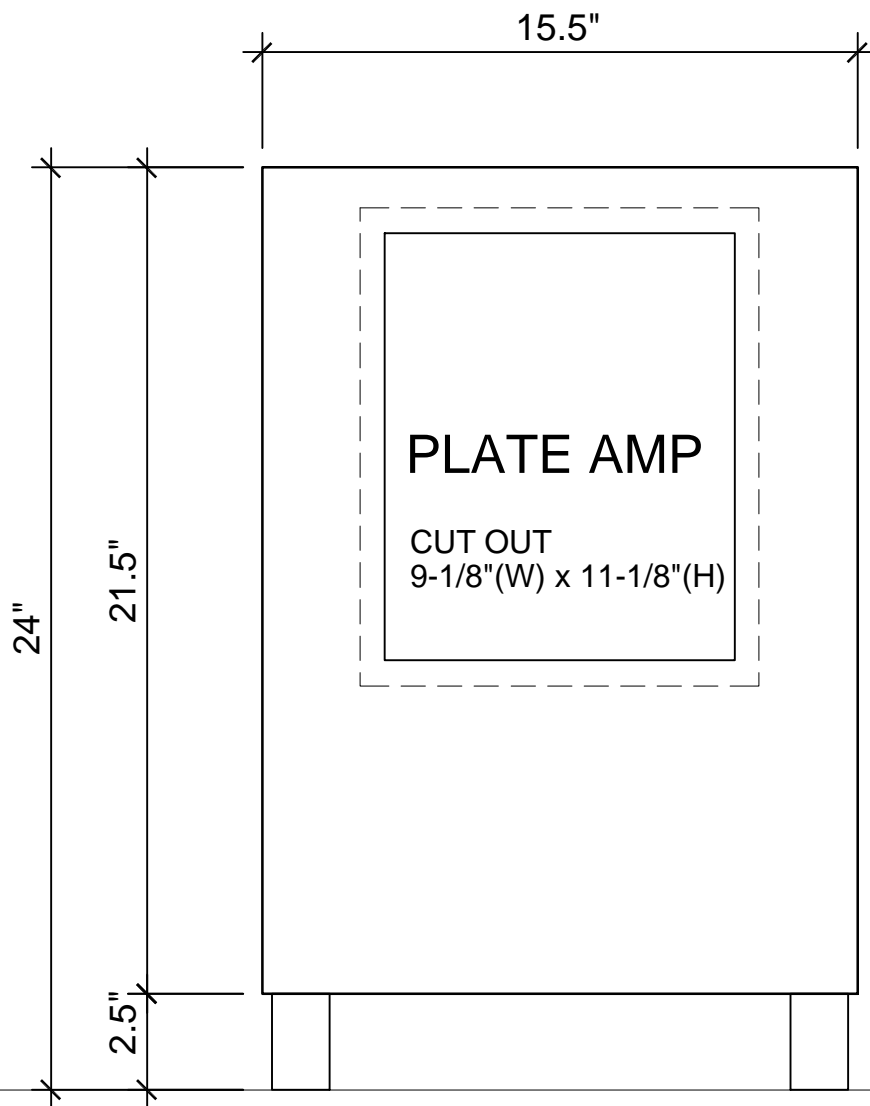
Rythmik Audio

Articulate bass for the discerning audiophile

www.rythmikaudio.com

SECTION

SCALE: 1:5



Rythmik Audio

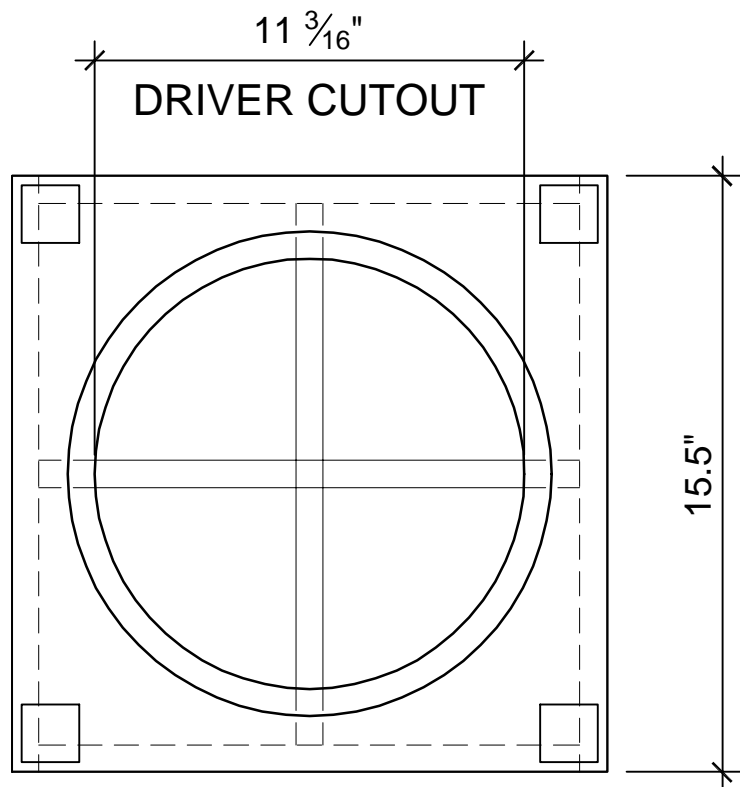
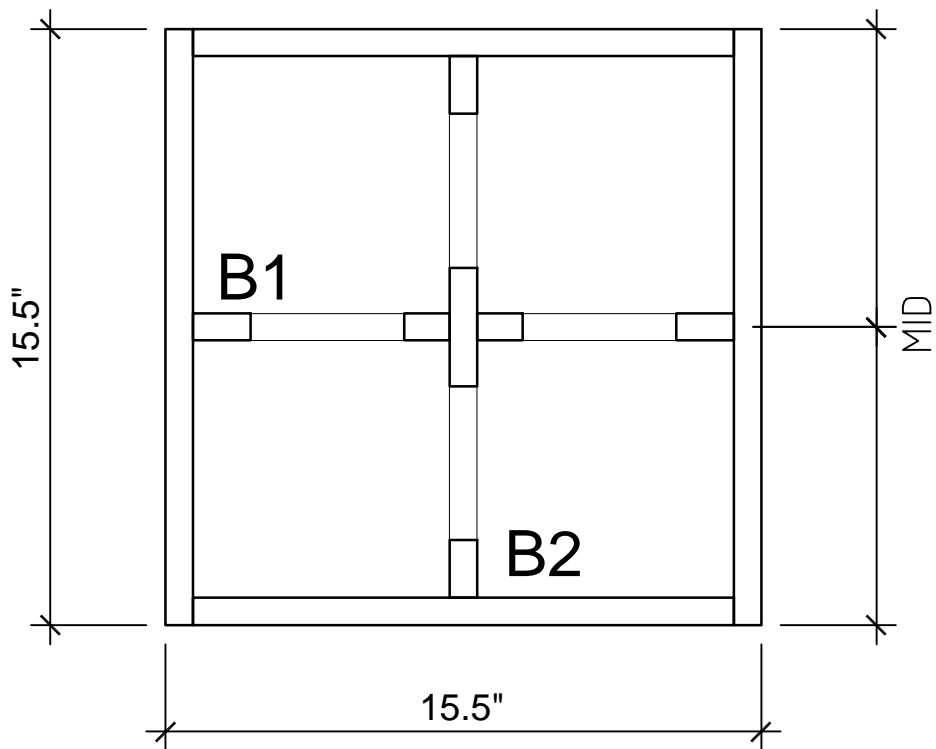
Articulate bass for the discerning audiophile
www.rythmikaudio.com

REAR VIEW

SCALE: 1:5

Copyright © 2006 Rythmik Audio. All rights reserved.

Design: 3 Corners www.3corners.com.au



Rythmik Audio

Articulate bass for the discerning audiophile

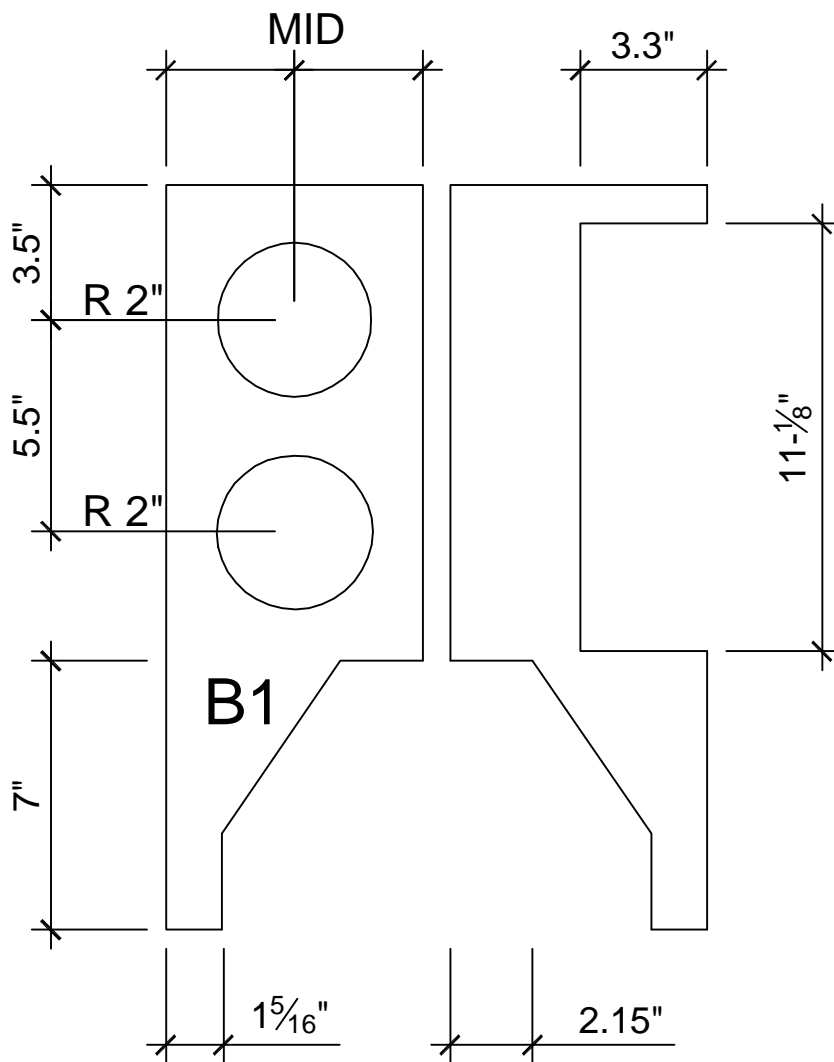
www.rythmikaudio.com

PLAN - TOP
& UNDERSIDE

SCALE: 1:5

Copyright © 2006 Rythmik Audio. All rights reserved.

Design: 3 Corners www.3corners.com.au



BRACE 1



Rythmik Audio

Articulate bass for the discerning audiophile

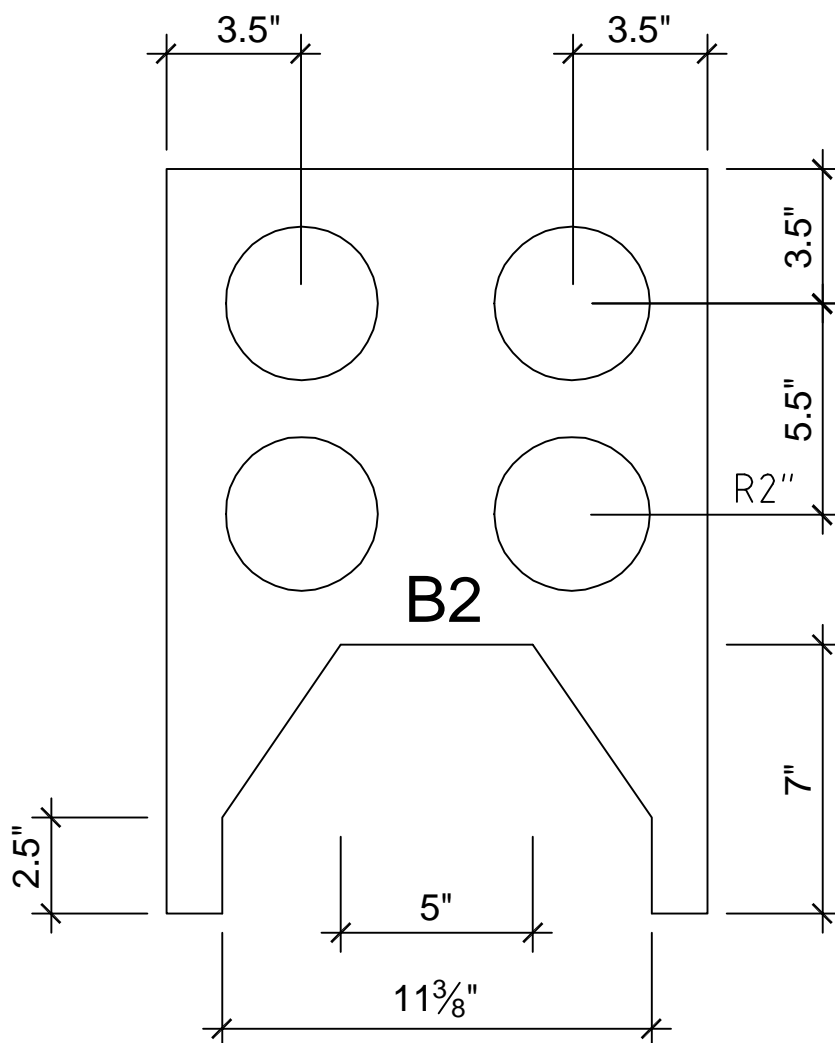
www.rythmikaudio.com

BRACE 1

SCALE: 1:5

Copyright © 2006 Rythmik Audio. All rights reserved.

Design: 3 Corners www.3corners.com.au



BRACE 2

Rythmik Audio

Articulate bass for the discerning audiophile

www.rythmikaudio.com

BRACE 2

SCALE: 1:5

Copyright © 2006 Rythmik Audio. All rights reserved.

Design: 3 Corners www.3corners.com.au